



TYPE 2N107

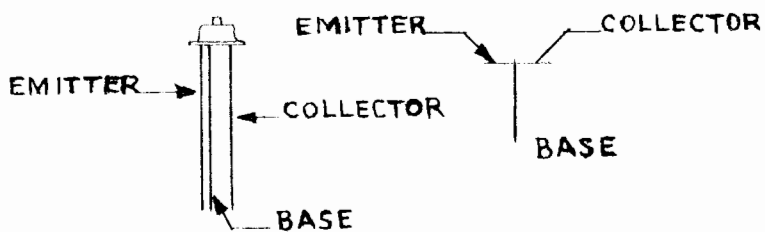
TRANSISTOR CIRCUITS

For

EXPERIMENTERS • AMATEURS

GENERAL  ELECTRIC

TYPE 2N107
PNP TRANSISTOR FOR
EXPERIMENTAL AND AMATEUR USE



The 2N107 PNP transistor is a carefully manufactured, hermetically sealed device which will give optimum service when operated within the specified ratings.

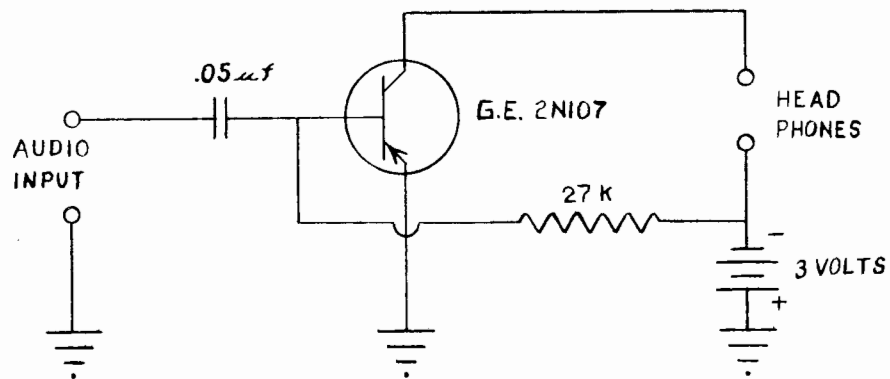
Care must be taken in order to avoid overheating the device while soldering the leads. It is recommended that pliers be used to grip the lead close to the base while soldering the transistor into the circuit.

The 2N107 transistor will operate satisfactorily at any voltage between $1\frac{1}{2}$ volts and 10 volts but a $1\frac{1}{2}$ to 6 volt supply should be used when possible.

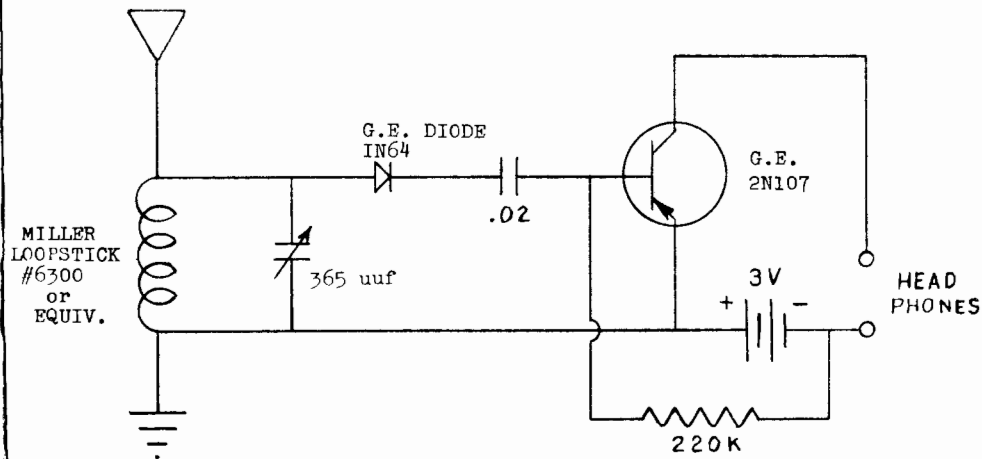
The values of capacitance and resistance listed on the accompanying circuits are approximate, and experimentation is recommended for optimum operation of the circuits.

NOT RECOMMENDED FOR COMMERCIAL USE

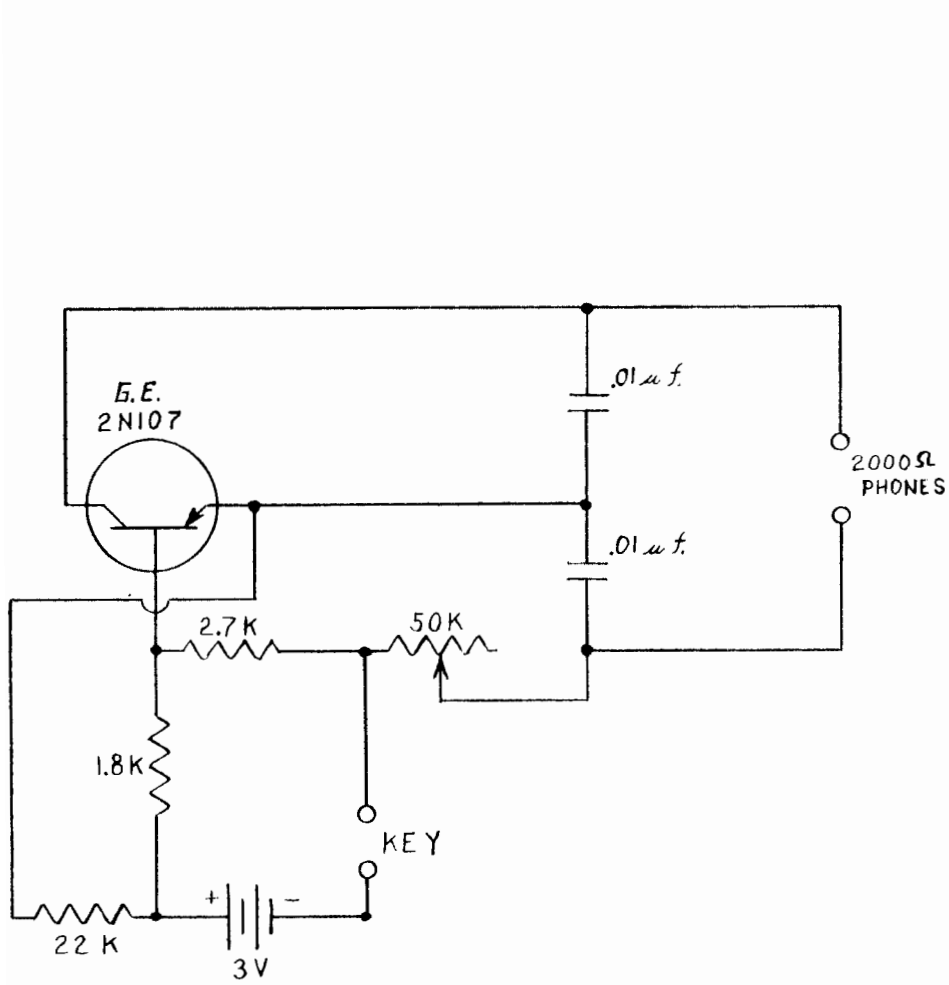
SIMPLE AUDIO AMPLIFIER



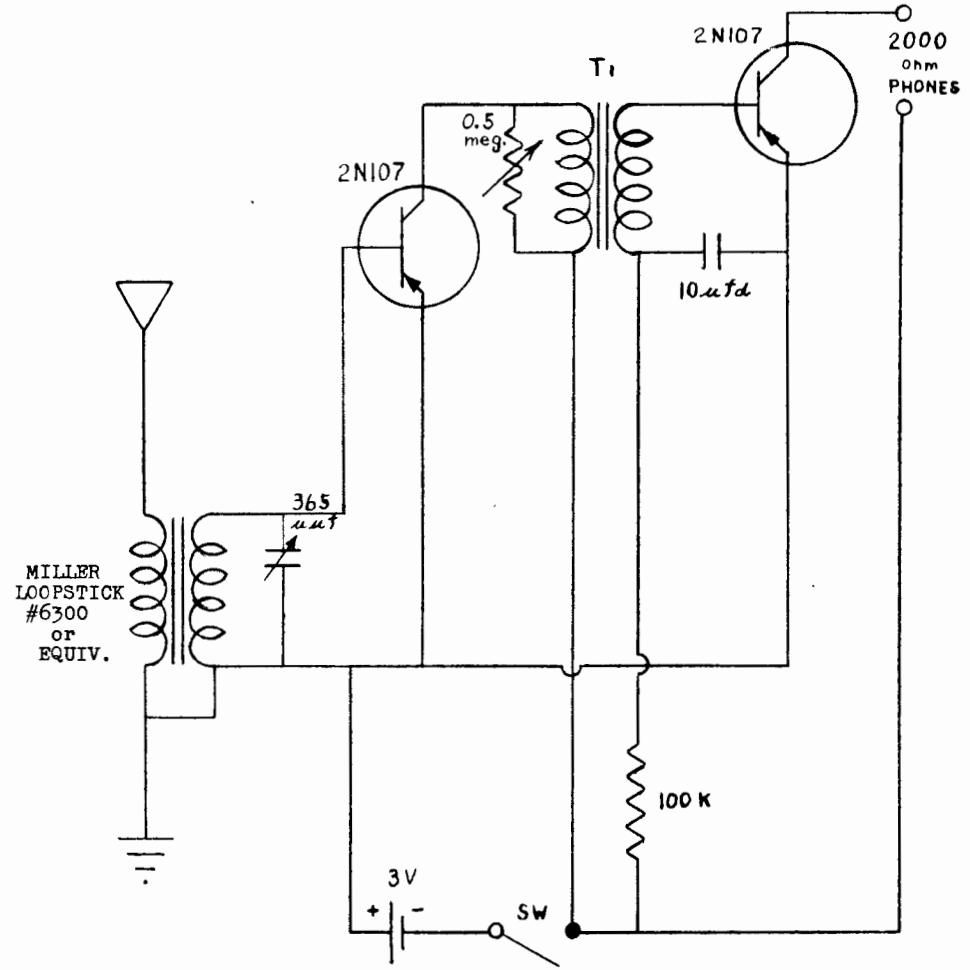
SIMPLE RADIO RECEIVER



CODE PRACTICE OSCILLATOR

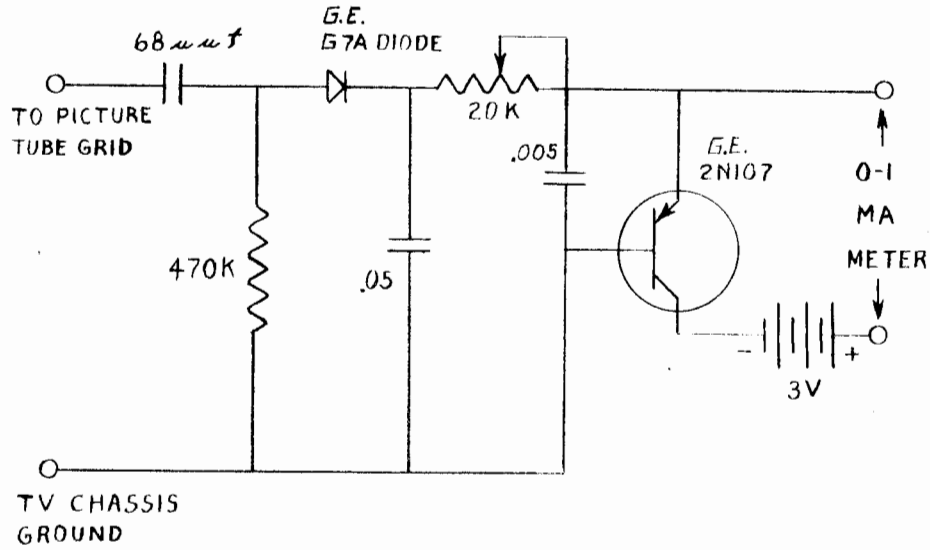


TWO-TRANSISTOR RADIO RECEIVER



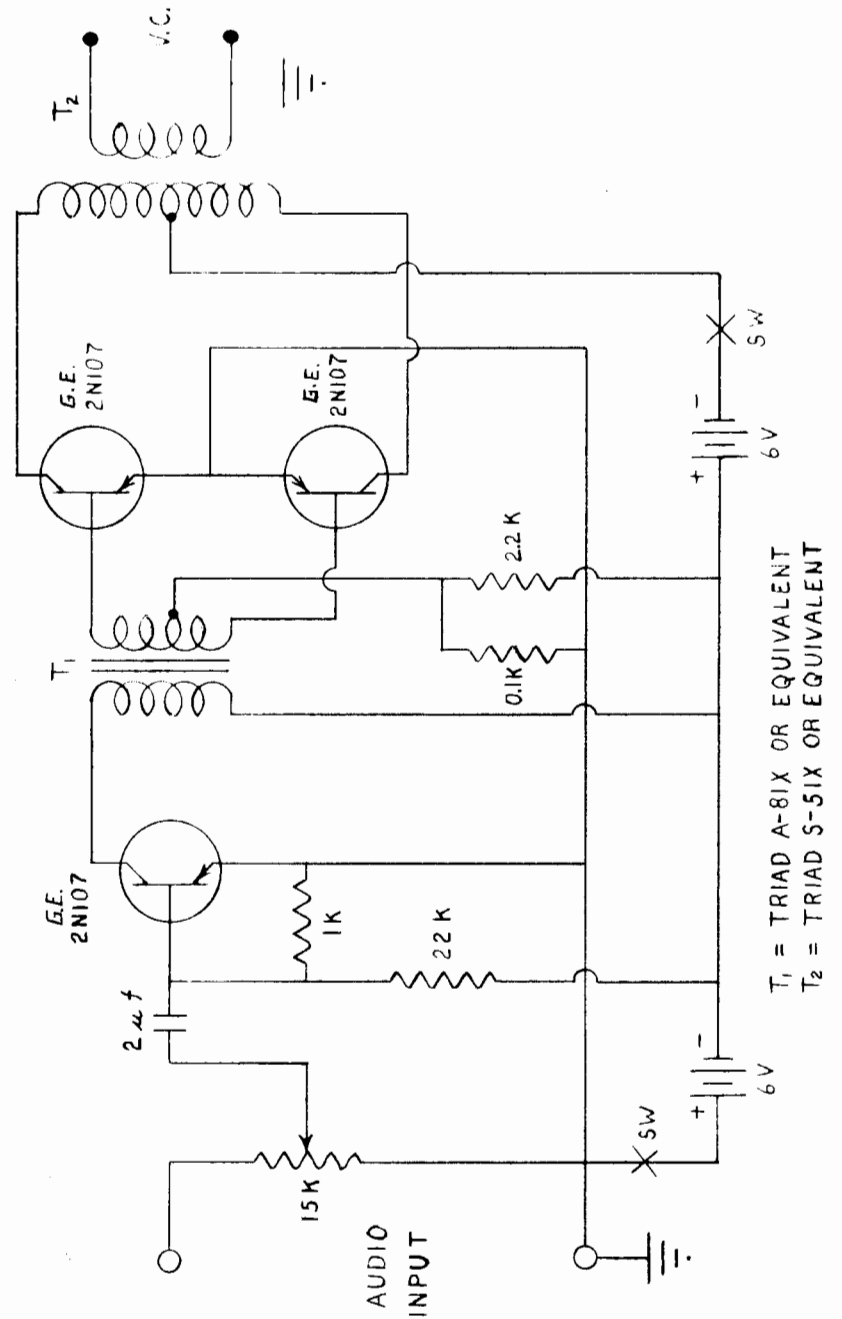
T₁ - PRIMARY 200 K
 SECONDARY 1 K
 STANCOR UM-112 OR EQUIVALENT

TV ANTENNA ORIENTATION METER



ROTATE ANTENNA FOR MAXIMUM DEFLECTION ON METER.

LOUD SPEAKER AUDIO AMPLIFIER



T₁ = TRIAD A-81X OR EQUIVALENT
T₂ = TRIAD S-51X OR EQUIVALENT

